

Kidde Engineered Fire Suppression System

Designed for use with 3M™ Novec™ 1230 Fire Protection Fluid



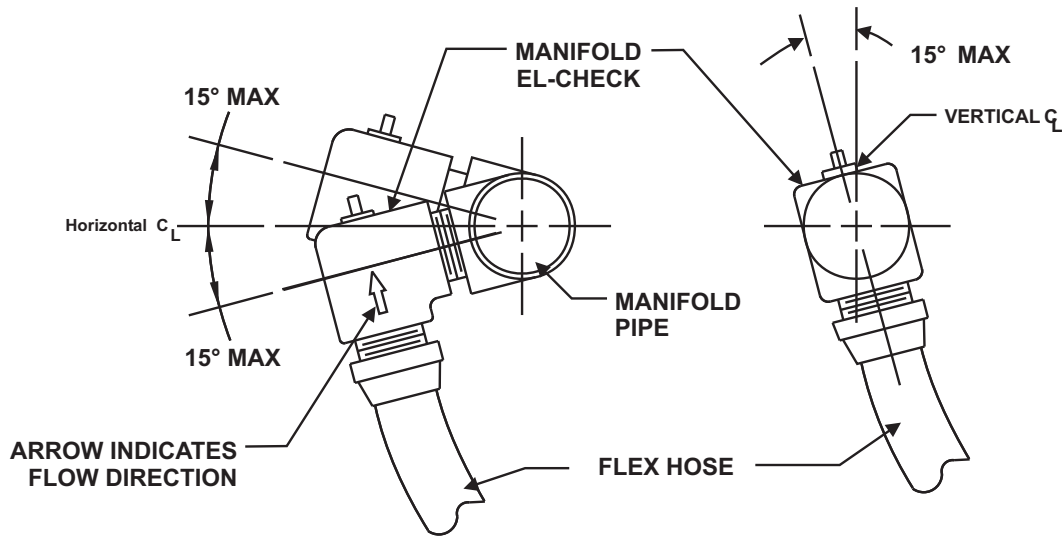
Effective: June 2015

Details for Typical Installation of EI-Check

K-45-2131 Rev AC

FEATURES

- *UL Listed, ULC Listed, and FM Approved for use with Novec 1230 Systems*



Note: Install EI-Checks so that the arrow is in the direction as indicated.
The EI-Check may be adjusted, as shown, to obtain a smooth radius for a Flexible Discharge Hose.

Kidde is a registered trademark of Kidde-Fenwal, Inc.
3M and Novec are trademarks of 3M.
All other trademarks are property of their respective owners.

This literature is provided for informational purposes only. KIDDE-FENWAL, INC. assumes no responsibility for the product's suitability for a particular application. The product must be properly applied to work correctly. If you need more information on this product, or if you have a particular problem or question, contact KIDDE-FENWAL, Inc.